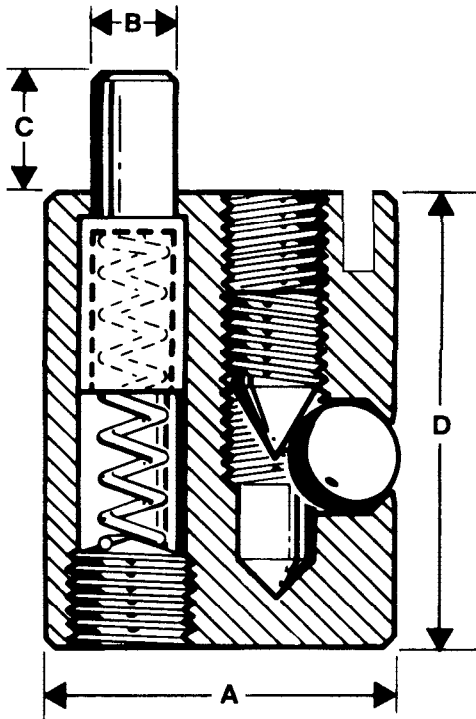


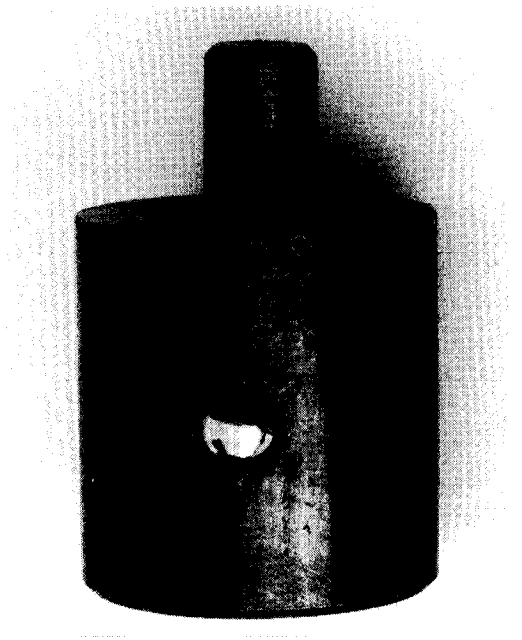


ECCENTRIC GAUGE STOPS

FOR POSITIVE ON-PRESS ADJUSTMENTS



- DRILL & REAM HOLE
- DROP IN PLACE
- REVOLVE TO ADJUST
- SLOT TO ASSIST IN ADJUSTMENT
- SET SCREW TO LOCK
- CASE HARDENED PIN



Item No.	A	B	C	D	MAX. ADJ.
EGS - 1	.499	.156	.156	.750	.218
EGS - 2	.748	.187	.187	1.000	.375
EGS - 3	.998	.250	.312	1.312	.500
EGS - 4	1.240	.375	.500	1.312	.500
EGS - 5	1.240	.500	1.000	2.000	.625

DISTRIBUTED BY

**ORDER BY ITEM NUMBER
SEE SEPARATE PRICE SCHEDULE**

MADE IN U.S.A

**Manufactured by
APPLIED MECHANICS CORP.**

14200 Ironwood Drive, N.W., Grand Rapids, Michigan 49544-1094
Telephone: 800-572-0141 Fax: 616-677-5969